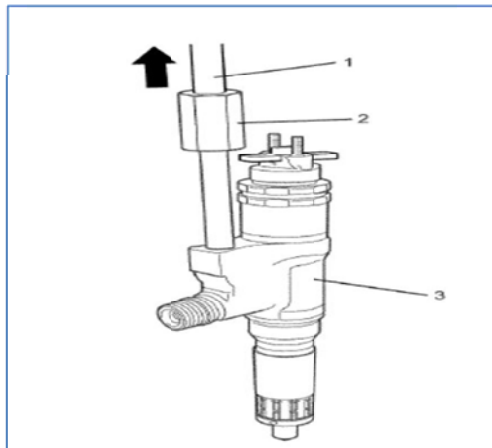




endeavour

# ET6188A

## ISUZU (4HK1/6HK1) INJECTOR REMOVAL TOOL



- This kit is to remove the injector from engine.
- The fuel injectors used on the 5.2L 4HK1 diesel engine have a calibration plate that must not be removed during service. EN-46720 allows injector removal without disturbing this calibration plate.
- Application: 4HK1 and 6HK1
- OEM no. ref : 5-8840-2826-0  
EN-46720)/5-8840-0019-0 (J-23907)