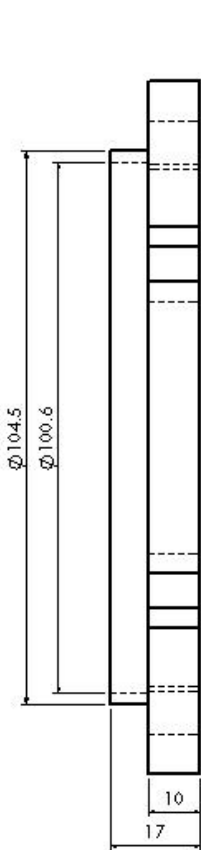
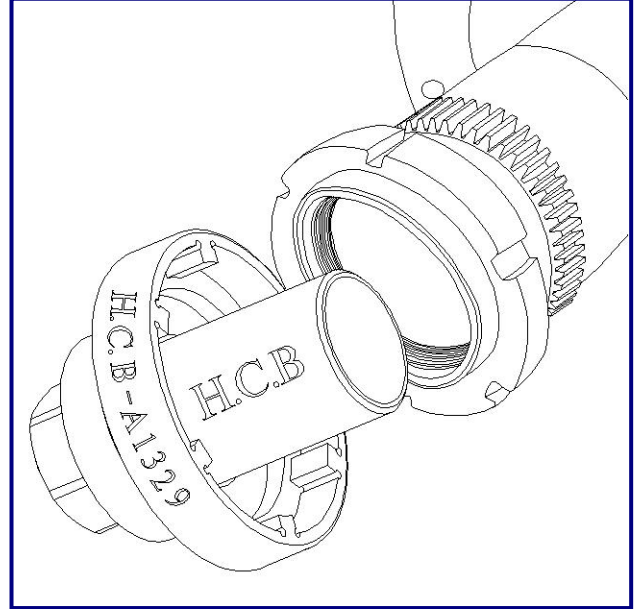


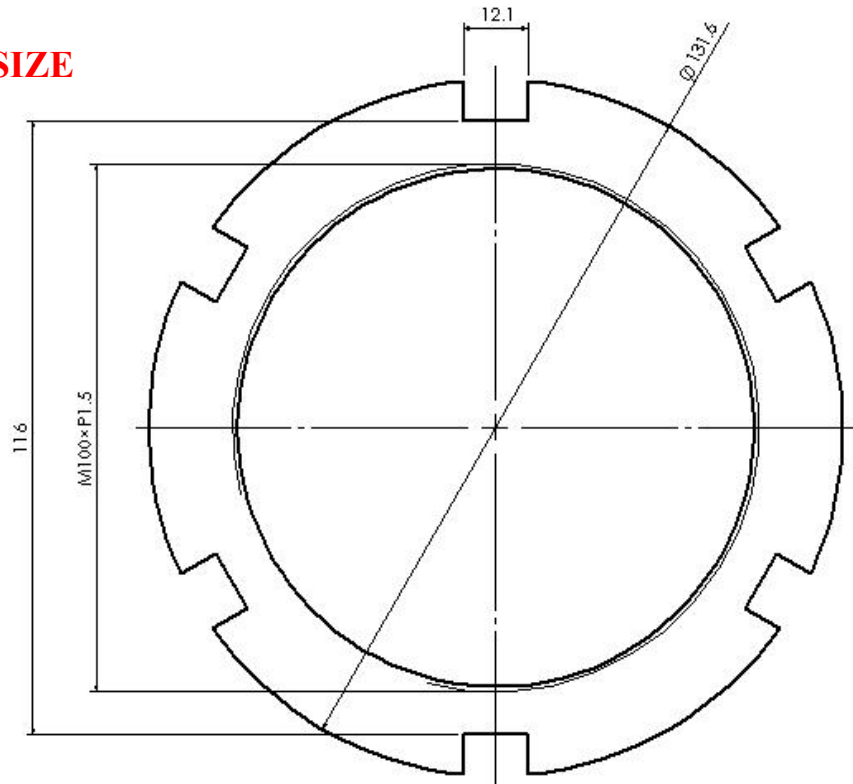
# H.C.B-A1329

## MAN TGA DRIVE AXLE NUT SOCKET

(Dr. 3/4", H60, 158 mm)



### NUT SIZE



- Fix bearing while removing or installing the truck nut.
- Use the air wrench or rod to control the nut to tighten or loosen bearing.
- Applicable : MAN-TGA DRIVE AXLE