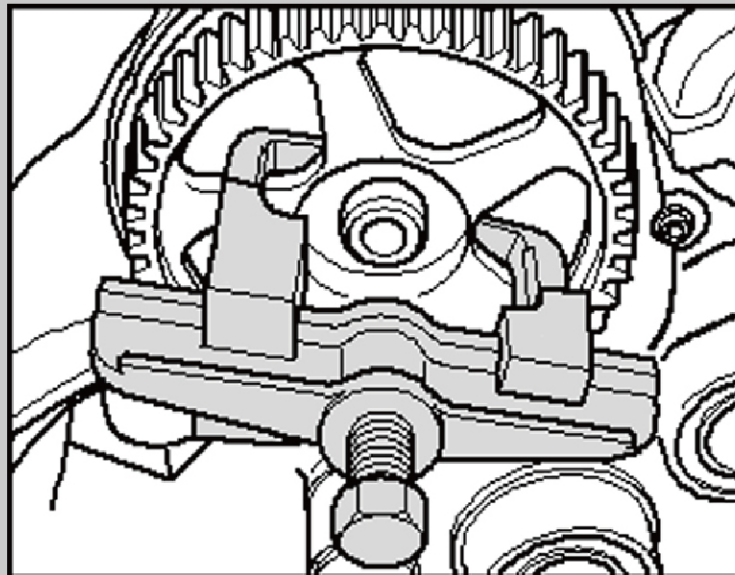


ET1297A

Camshaft Drive Belt Pulley Puller for VAG



Specially designed to remove 5 and 6 spokes camshaft pulleys.

Works on VW | Skoda | Audi :

***(1) 4 - 6 cylinder TDI engines,
V6 - V8 engines .***

***(2) 4 - cylinder injection engine
(2.0 liter FSI engine).***