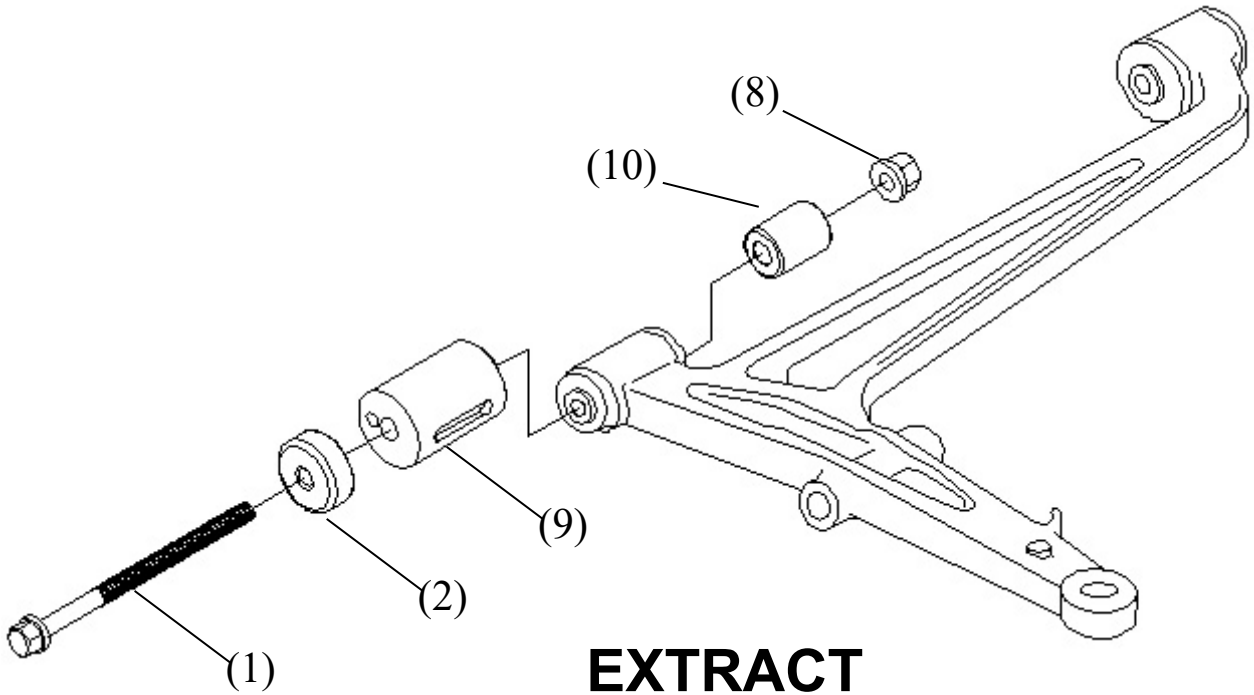




# ET1053

## VW T4 SUB-FRAME BUSH

### EXTRACTOR / INSTALLER



LUBRICATE THE SCREW  
WITH GREASE BEFORE  
USING IT

