

COOLING SYSTEM PRESSURE TEST ADAPTER FOR BYD



1. FEATURES

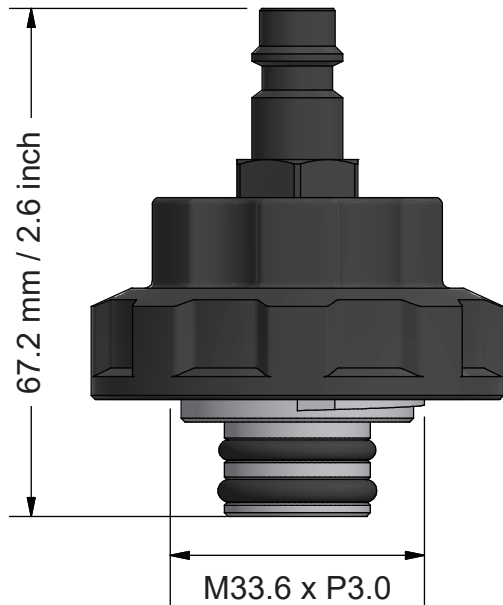
2. SPECIFICATIONS

3. APPLICATIONS

1. FEATURES

- Adapter cap to connect on cooling system expansion tank for leak pressure tests
- Suitable for BYD recent models, including hybrid and battery electric vehicles

2. SPECIFICATIONS



Material: Nylon 6-6



3. APPLICATIONS

Make	Model	Year	Remarks
BYD	Atto 3 / Yuan Plus	2022-2024	Electric
BYD	D1	2020-2024	Electric
BYD	Destroyer 05	2022-2024	1.5L PHEV
BYD	Dolphin	2021-2024	Electric
BYD	e1	2019-2020	Electric
BYD	e2	2019-2024	Electric
BYD	e3	2019-2024	Electric
BYD	e5	2016-2020	Electric
BYD	e6	2021-2024	Electric
BYD	Han (e9)	2020-2024	1.5L PHEV, 2.0L PHEV
BYD	Qin EV300	2016-2018	Electric
BYD	Qin Pro	2018-2024	1.5L Gas, 1.5L PHEV
BYD	Seal	2022-2024	Electric
BYD	Song L	2023-2024	Electric
BYD	Song Max	2017-2024	1.5L Gas
BYD	Tang	2018-2024	1.5L PHEV, 2.0L PHEV