

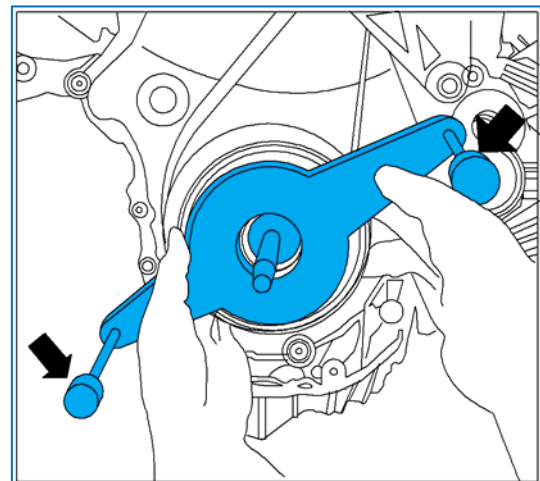
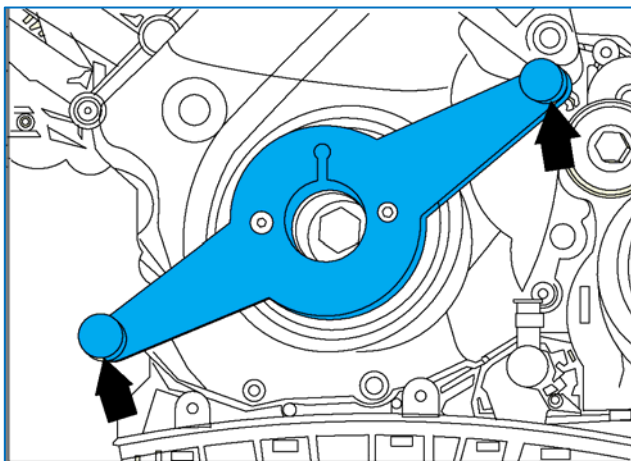
ET0037A

VW (EA888) CRANKSHAFT PULLEY

REMOVAL TOOL KIT



Code no.	Parts No.	Description	OEM no.ref.:
1	E1506-01	Counterhold tool	T10531/1
2	E1506-02	Tensioning pins	T10531/2
3	E1506-03	Turning over tool	T10531/3
4	E1506-04	Knurled nut	T10531/4



- Used to remove the damper pulley on third generation EA888 engines.
- **Applications:**
4 cyl. 1.8L, 2.0L, 4V TFSI direct injection engine (timing chain).