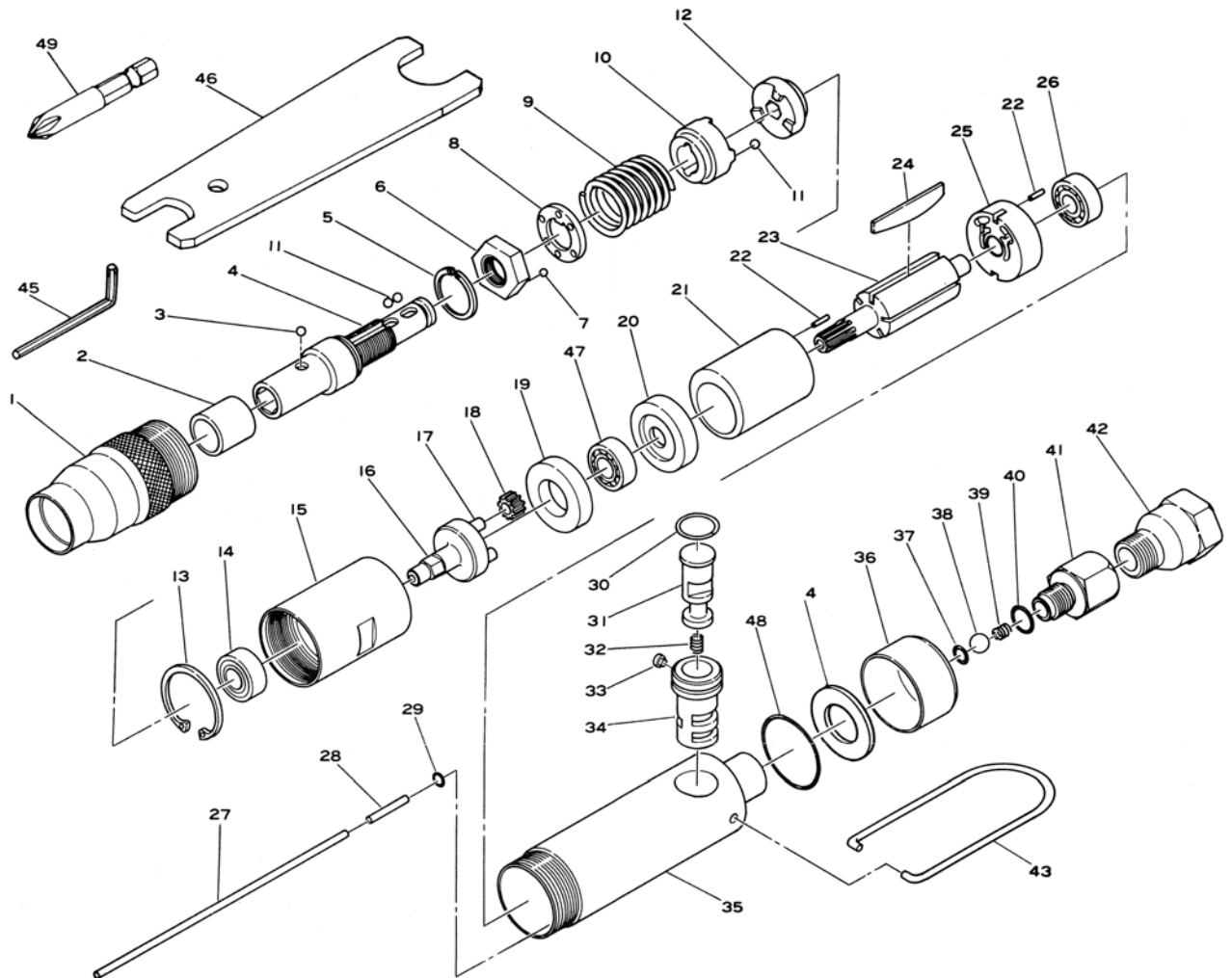


E-1130A

3mm Screw driver



| Ref. No. | Parts No. | Description | Q'ty | Ref. No. | Parts No. | Description | Q'ty |
|----------|-----------|---|------|----------|-----------|--------------------------|------|
| 1 | 530A-34 | Clutch Case | 1 | 26 | 685 | Ball Bearing | 1 |
| 2 | 460-34 | Ball Retainer | 1 | 27 | 530A-12 | Push Pin | 1 |
| 3 | SB-1/8 | Steel Ball | 1 | 28 | 530A-45 | Valve Pin | 1 |
| 4 | 530A-33 | Work Spindle | 1 | 29 | P-2 | O-Ring | 1 |
| 5 | GV-12 | Retaining Ring | 1 | 30 | 950-1-1 | Retaining Ring | 1 |
| 6 | 530A-30 | Adjust Nut | 1 | 31 | 530A-8 | Reverse Valve | 1 |
| 7 | SB-20 | Steel Ball | 3 | 32 | 530A-10 | Reverse Valve Spring | 1 |
| 8 | 530A-32 | Adjust Nut Seat | 1 | 33 | 530A-43 | Reverse Valve Pin | 1 |
| 9 | 530-26 | Clutch Spring | 1 | 34 | 530A-9 | Reverse Bush | 1 |
| 10 | 530A-27 | Clutch Joe B | 1 | 35 | 530A-51 | Motor Housing | 1 |
| 11 | SB-25 | Steel Ball | 14 | 36 | 530A-7 | Deflector | 1 |
| 12 | 530A-26 | Clutch Joe A | 1 | 37 | PA-1516-2 | O-Ring | 1 |
| 13 | JO-21 | Retaining Ring | 1 | 38 | SB-50 | Steel Ball | 1 |
| 14 | 626-LLU | Ball Bearing | 1 | 39 | 520-29 | Valve Spring | 1 |
| 15 | 530A-25 | Internal Gear | 1 | 40 | P-7 | O-Ring | 1 |
| 16 | 530A-24 | Reduction Spindle incl. Pins (502-32x3) | 1 | 41 | 530A-1 | Inlet Bushing | 1 |
| 17 | 502-32 | Pin | 3 | 42 | 460-51 | Adaptor | 1 |
| 18 | 530A-22 | Planet Gear | 3 | 43 | 530-41 | Hanger | 1 |
| 19 | 530A-21 | Spacer | 1 | 44 | 530A-50 | Muffler | 1 |
| 20 | 530A-19 | Front Plate | 1 | 45 | WRA-1/4 | 1/4" Allen Wrench | 1 |
| 21 | 530A-16 | Cylinder | 1 | 46 | 350-28 | Spanner Wrench (14x19mm) | 1 |
| 22 | 15-6 | Roll Pin (1.5-6mm) | 2 | 47 | 626 | Ball Bearing | 1 |
| 23 | 530A-17 | Rotor | 1 | 48 | 314-5 | O-Ring | 1 |
| 24 | 530-12 | Rotor Blade | 5 | 49 | 181-51 | +Bit No.2 | 1 |
| 25 | 530A-13 | Rear Plate | 1 | | | | |